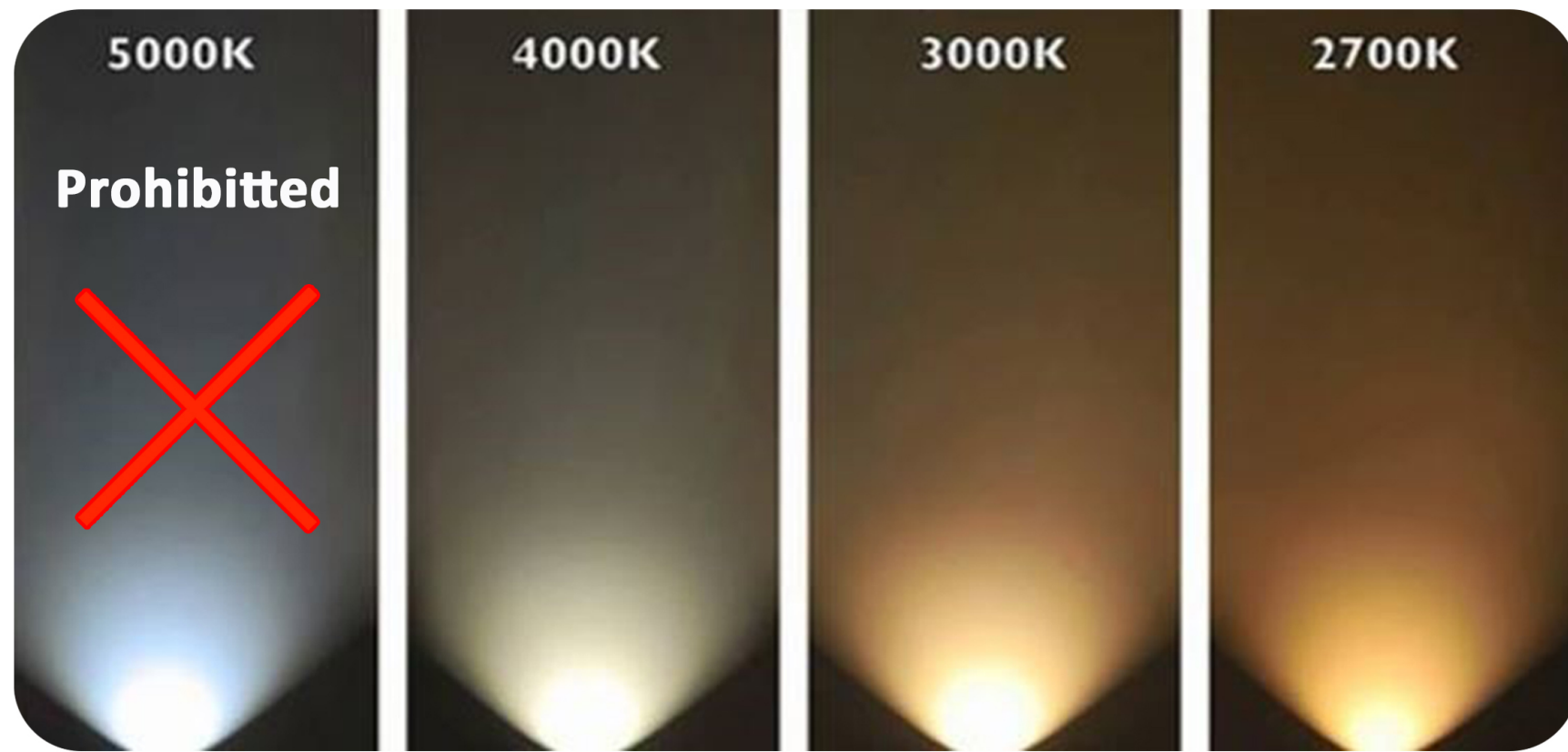


EXHIBIT B- CITY OF CAMARILLO LIGHTING FIXTURE GUIDE



The City of Camarillo has an adopted lighting ordinance applicable to outdoor lighting, found under Camarillo Municipal Code, Chapter 19.47. This guide intends to reflect what type of fixtures are preferred, acceptable, or prohibited in the City, consistent with the Community Design Element of the General Plan.

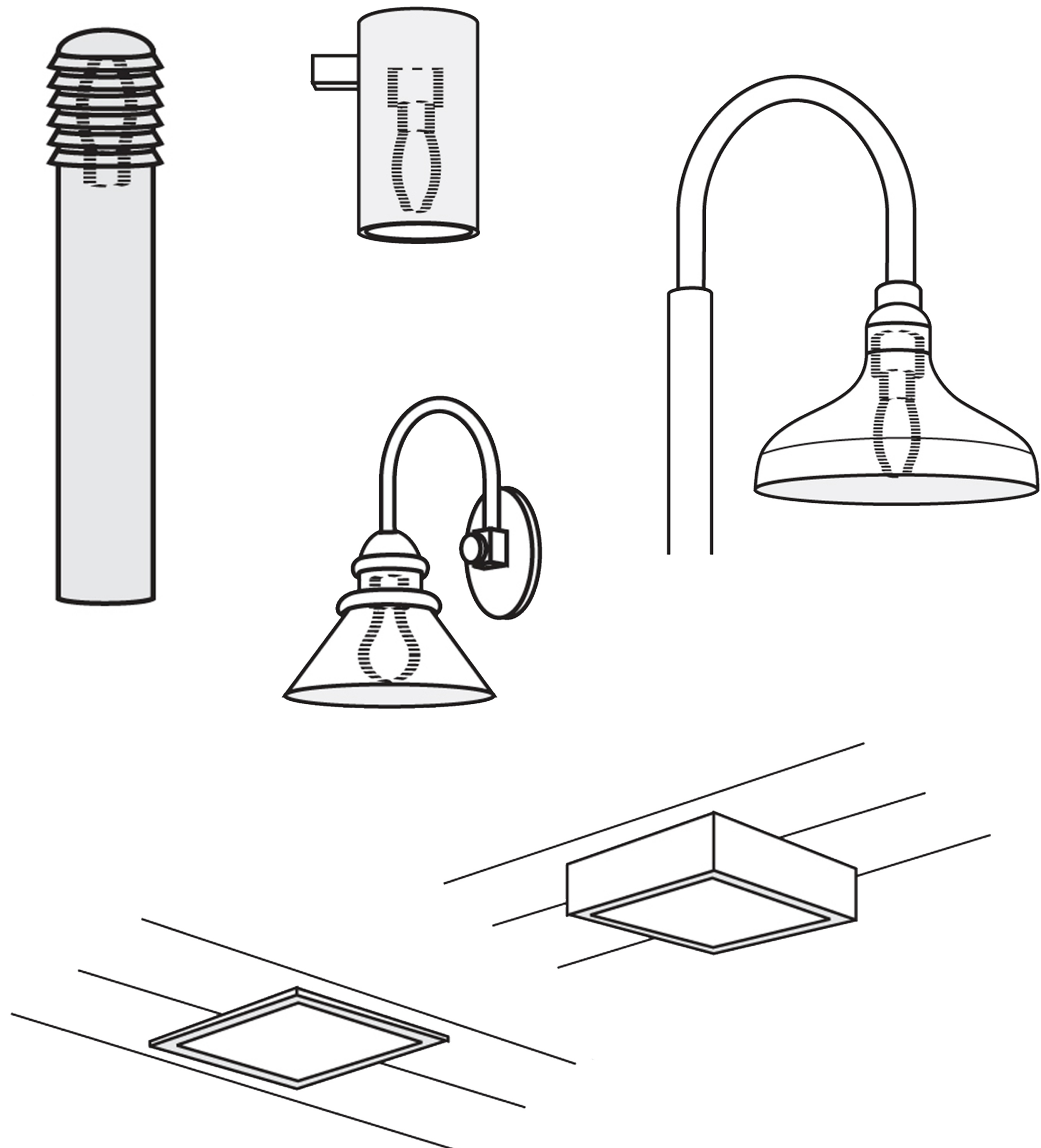


Kelvin Scale

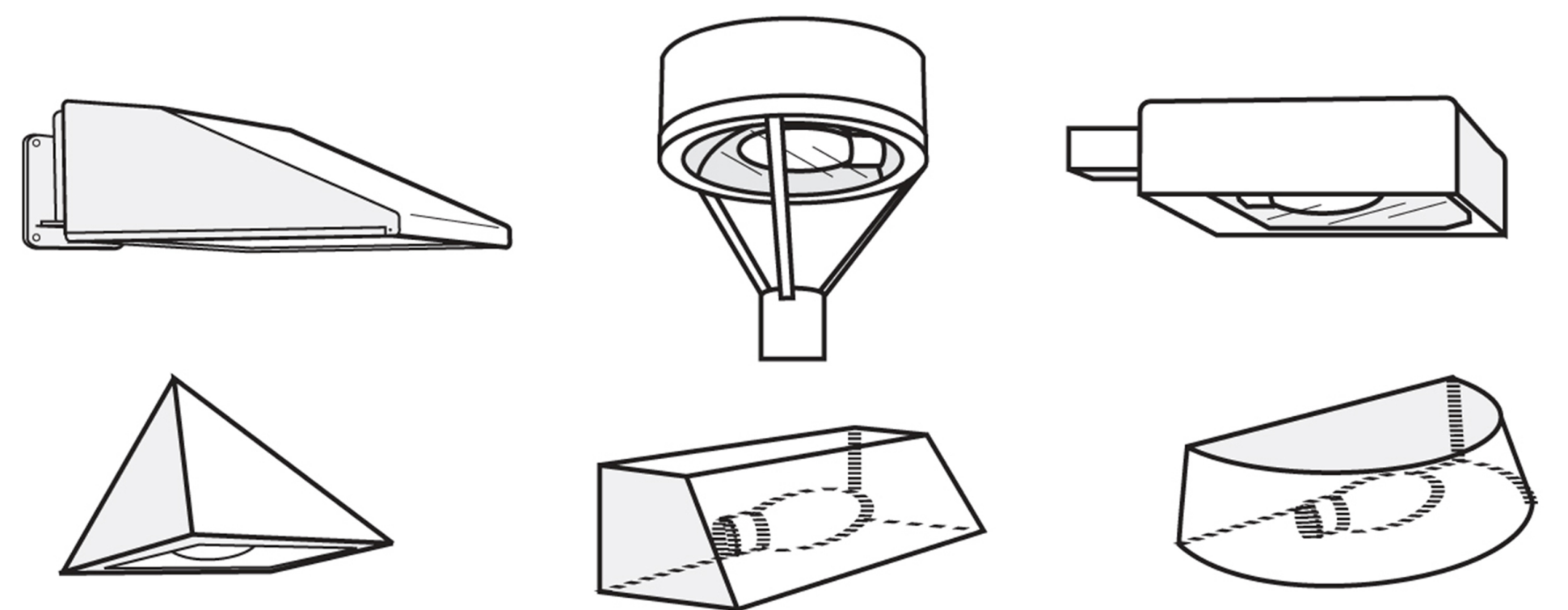
Color temperature is a way to describe the light appearance provided by a light bulb. It is measured in degrees of Kelvin (K) on a scale from 1,000 to 10,000. The maximum permitted temperature for all exterior lighting in the City of Camarillo is 4,000 degrees Kelvin.

DRAFT

PREFERRED Decorative Cut-off



ACCEPTABLE Cut-off



PROHIBITED

